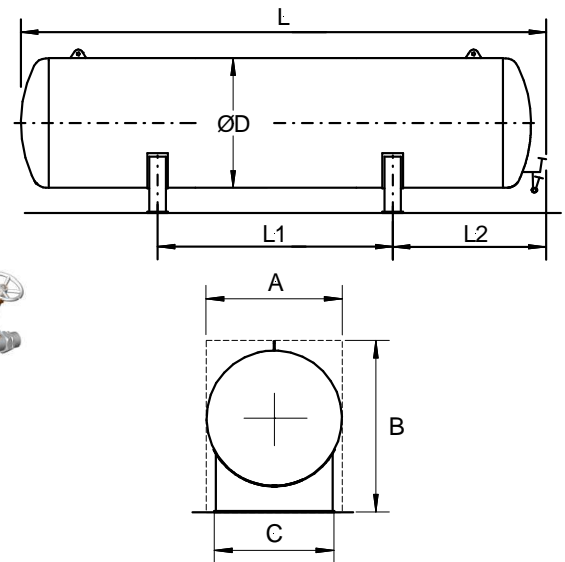
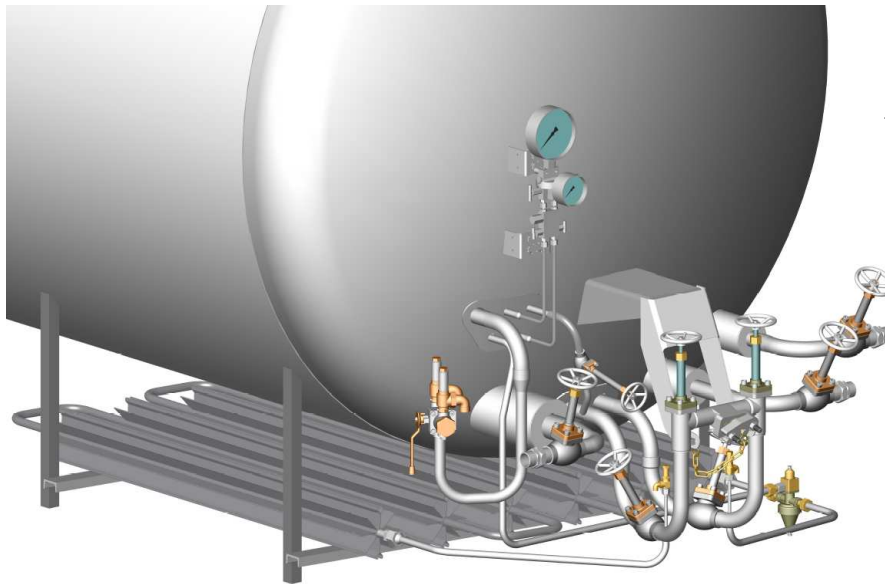


CRYOLOR introduces the latest generation vacuum isolated cryogenic tank, the **EFH Céline 3**, for liquid nitrogen, oxygen or argon service. Available in a wide range of sizes with a Maximum Allowable Working Pressure of **17 bar** (\approx 250 psig), **EFH Céline 3** is designed in accordance with the European Pressure Directive **PED 97/23/CE** and EN 13458.

- **The widest range of standard options:** introduced by CRYOLOR, our innovative modular design using prefabricated piping modules, allows the basic model to be customized to satisfy virtually all possible technical requirements.
- **A maximum use of Stainless steel:** Only Céline 3 uses as much stainless in its construction to guarantee the lowest life cycle costs - valves, interconnecting piping and all welded connections are stainless.
- **Components selected for their operational reliability** - mono-bloc pressure building regulator, safety system with dual relief valves and burst discs as standard, stainless valves.
- **Reduced overall operational costs** - optimized pipework layout with fewer connections minimize potential leaks and facilitate operation & servicing, filling assembly isolation valves as standard, proven painting techniques guarantee years of care-free operation.



Type	EFH63	EFH91
Gross capacity (liters) *	61 990	90 900
Net capacity (liters) *	58 891	86 355
Daily evaporation rate O ₂ (%)	0,13	0,13
Empty weight (kg)	22 200	29 500
Weight full Nitrogen (kg) - LIN	69 784	104 766
Weight full Oxygen (kg) - LOX	89 395	135 692
Weight full Argon (kg) - LAR	104 235	158 979
Continuous flow rate for 8 hours at 8 bar (Nm ³ /h)	2 000	2 000
Ø Diameter (mm)	2 840	2 840
L length (mm)	14 350	20 500
L1 (mm)	6 000	9 400
L2 (mm)	4 765	5 500
A (mm)	2 840	2 840
B (mm)	3 440	3 440
C (mm)	2 530	2 530

* \pm 4%